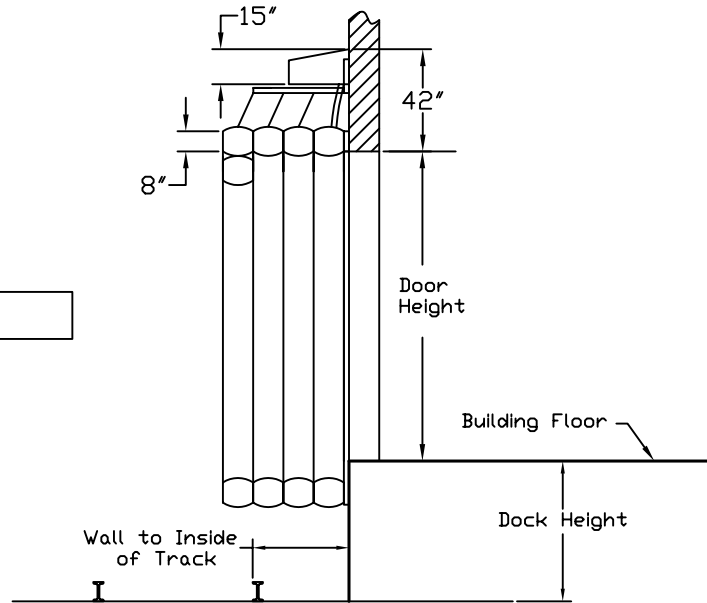
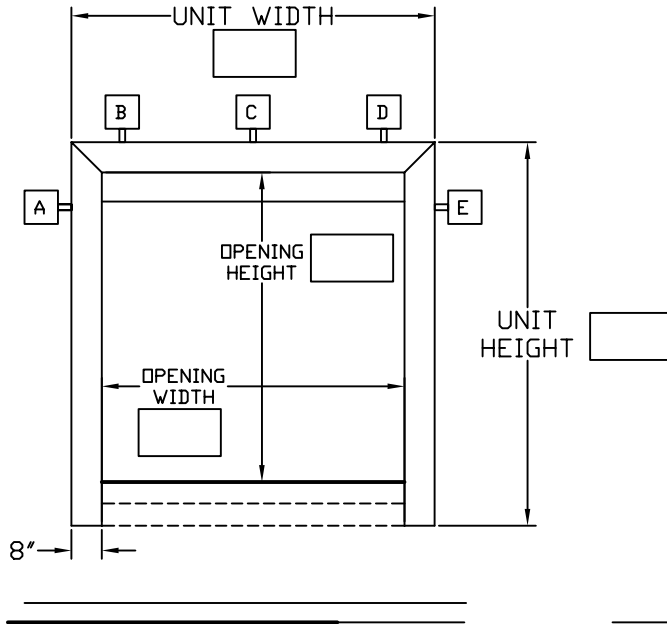


IR SERIES INFLATABLE RAIL DOCK SHELTER

NORDOCK®



SITE DIMENSIONS

DOOR WIDTH: _____ //

DOOR HEIGHT: _____ //

DOCK HEIGHT: _____ //

WALL TO INSIDE OF TRACK: _____ //

ORDER INFORMATION

BILL TO: _____

SHIP TO: _____

ORDER DATE: _____ QUANTITY _____

COST EACH: _____ TOTAL COST _____

PURCHASE ORDER NO. _____

QUOTED BY: _____ DATE: _____

NOTES: _____

FEATURE SUMMARY

- HIGH TEAR ABRASION RESISTANT 12 OZ. FABRIC
- 1/2 HP 115V MOTOR BLOWER WITH GALVANIZED HOOD
- DOUBLE STITCHED WITH HIGH STRENGTH THREAD
- HEAVY DUTY TARP STRAP ASSEMBLY SYSTEM
- ON/OFF SWITCH WITH PILOT LIGHT
- RETRACTION TRACK ASSEMBLY
- GALVANIZED STEEL MOUNTING HARDWARE

SPECIFICATIONS/OPTIONS

MOTOR BLOWER LOCATION: A B C D E

3 SIDED UNIT 4 SIDED UNIT

UNIT PROJECTION 48" 60"

WOOD BUILD OUT: _____ "

16 OZ. HYPALON FABRIC

AUTOMATIC ON/OFF SYSTEM

NOTE

SEAL PROJECTION SHOULD EQUAL THE DISTANCE FROM THE WALL TO INSIDE FIRST RAIL LESS 24". PROJECTIONS OVER 60" REQUIRE A WOOD BUILD OUT.