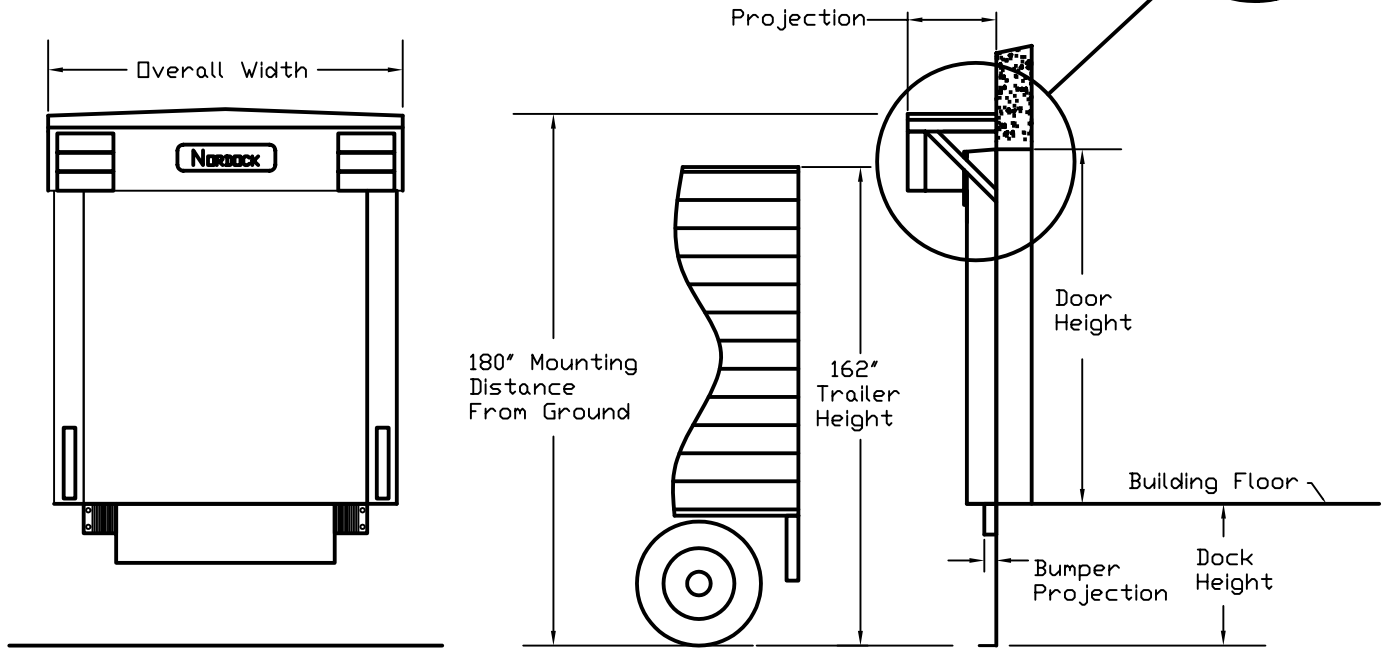
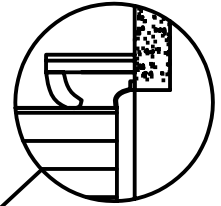


RAINSHIELD™ SERIES TRUCK TOP SEAL

NORDOCK®

FEATURE SUMMARY

- Double Layer of High Tear & Abrasion Resistant Fabric
- Pressure Treated Superior Grade Lumber
- Dual Density Polyurethane Foam With 99% Memory
- Double Stitched With High Strength Thread
- Corner Impact Area Wear Pleats
- Translucent Polyethelene Top Sheeting
- Galvanized Steel Trim, Side Supports & Mounting Hardware



SITE DIMENSIONS

DOOR WIDTH: _____ "

DOOR HEIGHT: _____ "

DOCK HEIGHT: _____ "

BUMPER PROJECTION: _____ "

APPROACH GRADE: _____ % SLOPE

INCLINE DECLINE SPLIT DECLINE _____ " LEVEL

GRADE WALL EXTENSION: _____ "

BUILDING WALL SETBACK: _____

DOOR SEAL DIMENSIONS: PROJECTION _____ "

OVERALL HT _____ " OVERALL WIDTH _____ "

ORDER INFORMATION

BILL TO: _____

ORDER DATE: _____ QUANTITY _____

COST EACH: _____ TOTAL COST _____

PURCHASE ORDER NO. _____

RAINSHIELD SPECIFICATIONS/OPTIONS

BASE FABRIC: 22OZ. VINYL

40 OZ. VINYL

16 OZ. HYPALON

OUTER FABRIC: 22 OZ. VINYL

40 OZ. VINYL

40 OZ. HYPALON

UNIT WIDTH: 120" OTHER _____ "

UNIT PROJECTION: 30" OTHER (UP TO 42") _____ "

HEAD PAD: 20" DROP OTHER _____ "

OPTIONS: STEEL FRAME

OTHER:
