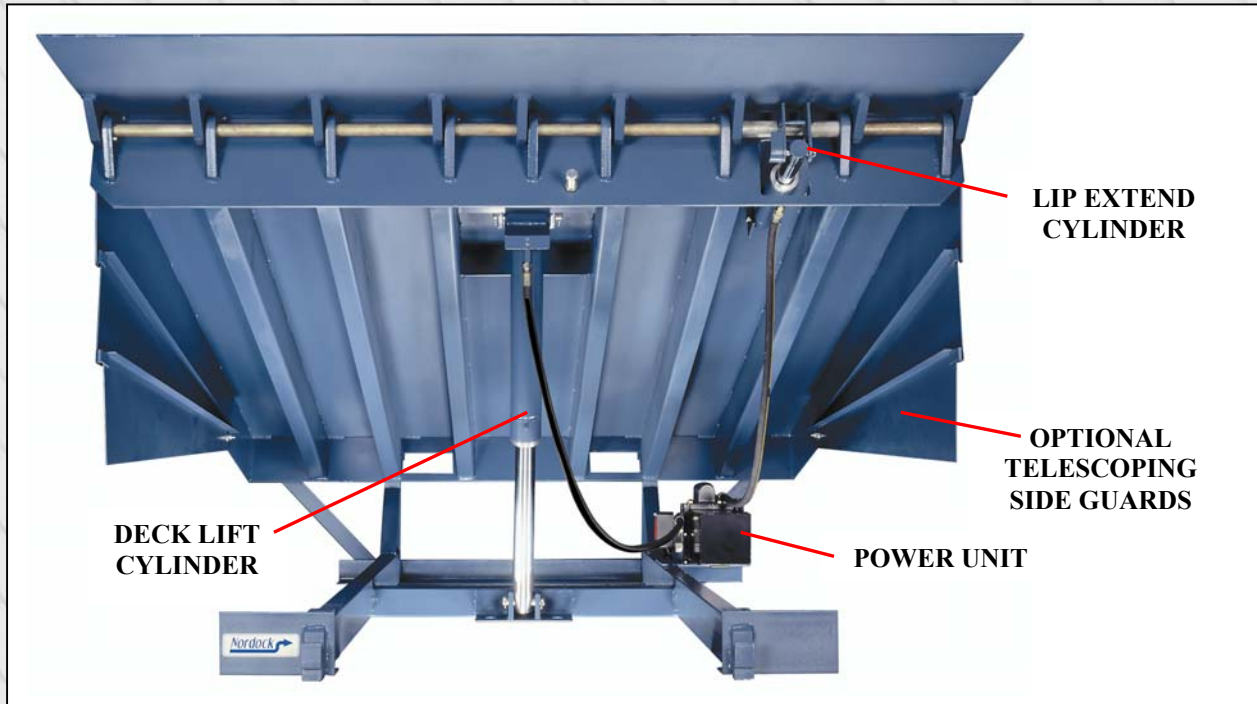


## HYDRAULIC CONVERSION KIT



### FEATURE SUMMARY

- **Heavy Duty Cylinders with Optional Velocity Fuse**
- **Adaptable to All Size Dock Levelers**
- **Full Hydraulic Operation Automatically Extends Lip**
- **Simple Operation With Single Push Button Control**
- **All Brackets, Hydraulic Hoses & Pins Supplied**
- **Detailed Installation, Parts & Servicing Instructions Included**
- **Dust Tight Electric Enclosure**
- **Optional Deck Maintenance Strut**
- **Optional Full Operating Range Telescoping Side Guards**

#### OPERATION

The operator presses the control button until the deck is raised and the lip is fully extended. Releasing the button allows the lip to lower onto the truck bed. The operator stores the leveler by pressing the control button until the lip fully retracts. Releasing the button allows storing of the dock leveler.

#### ELECTRICAL/HYDRAULICS

The power unit is a frame mounted integral assembly fully tested and oil filled. The 1 HP motor is a TENV type with internal overload protection available in all voltages. Control panel is a dust tight enclosure housing the motor starter and push button. Hydraulic cylinders are a heavy-duty design with polished chrome rods, guide bearings and high-pressure seals. Hydraulic hoses are high pressure SAE 100R2 with fittings supplied.

*Dedicated People ~ Superior Products*

Website: [nordockinc.com](http://nordockinc.com) ~ Email: [sales@nordockinc.com](mailto:sales@nordockinc.com) ~ Toll Free: 866-885-4276